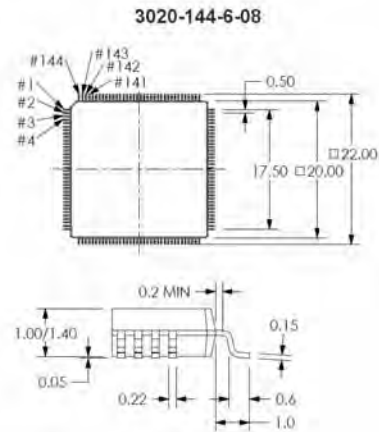
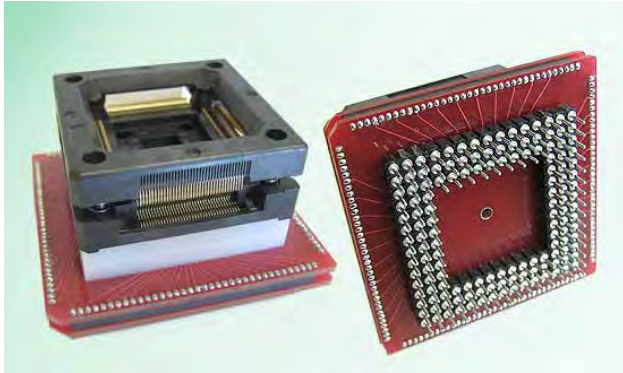




Tester – Breadboard Adapter For 144-lead TQFP Packages with 0.5mm Pitch

A generic TQFP tester adapter for devices in 0.5mm (20 mil) pitch package. The adapter features a removable open top ZIF test socket.

Suitable for solderless breadboards and 15 x 15 matrix PGA sockets.



- Adapter part number 144QFS20-PG-ZO-S
- 144 Pins
- 20.00mm IC package body width
- 22.00mm Leads Tip to tip
- 0.50mm Pitch device
- On line at <https://www.aprilog.com/Breadboarding-adapters-ZIF-Socket.htm>
- Email info@aprilog.com for PayPal or credit card purchases